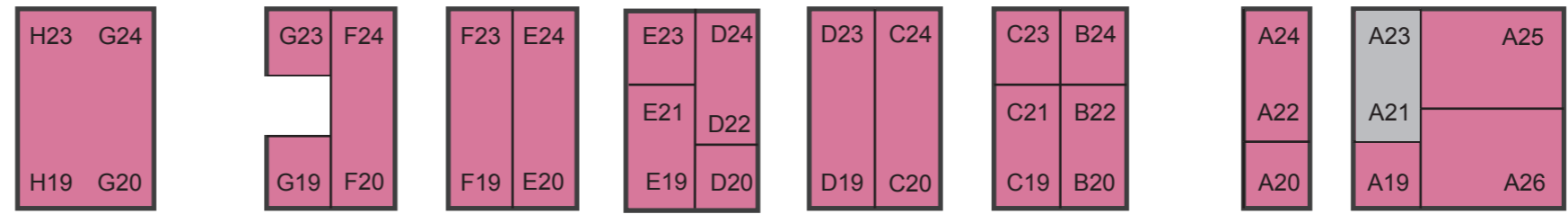
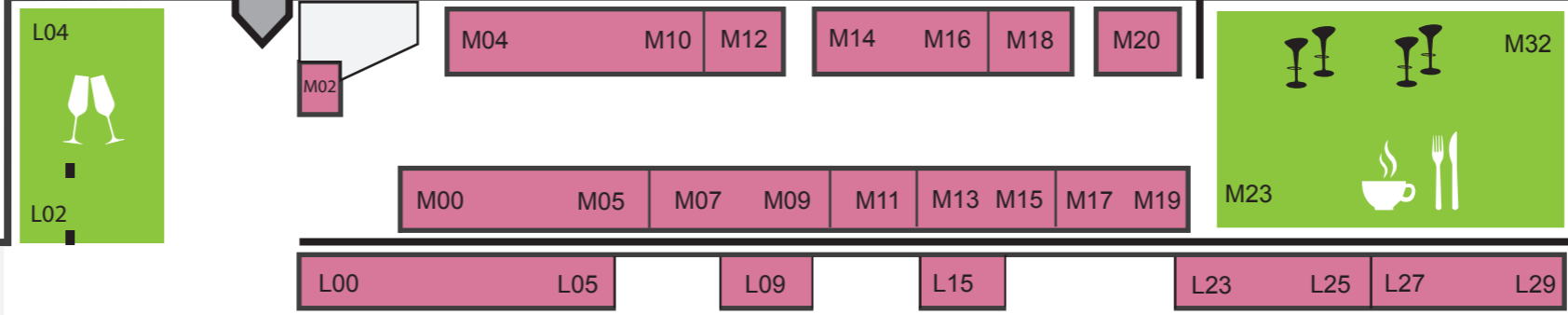
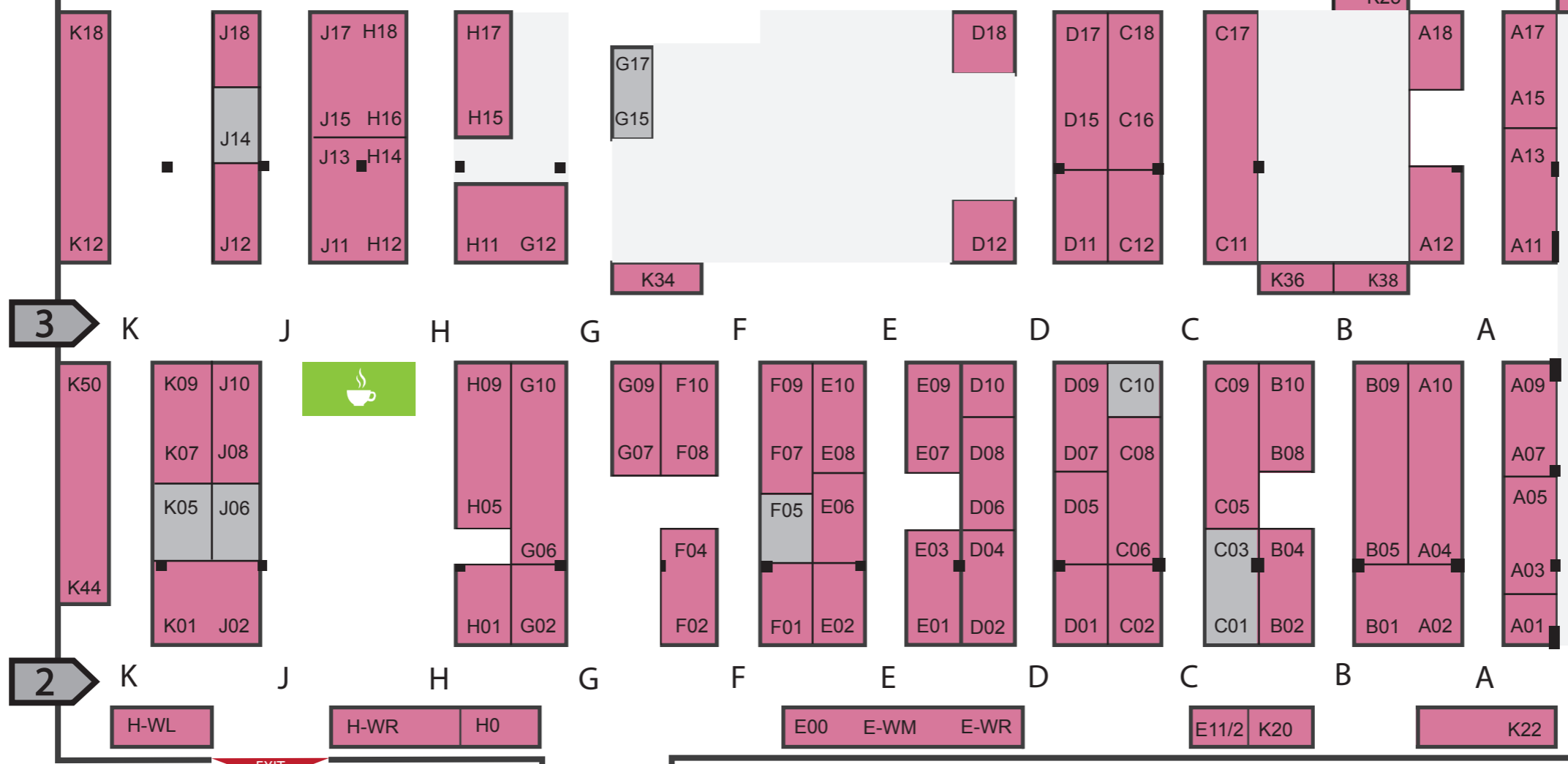


HALLE 2  
HALL 2



4 3 2 1 5 6 7 8 9

HALLE 1  
HALL 1



1 WC INFO POINT